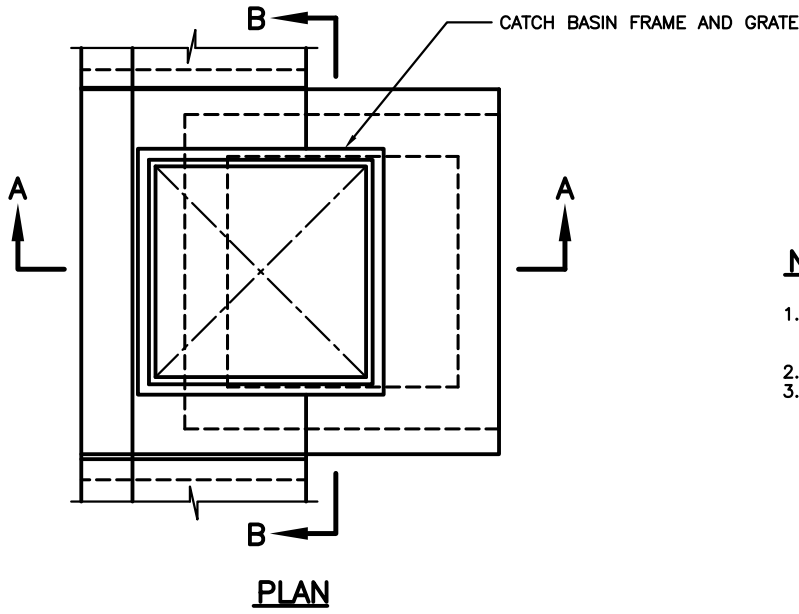


DRILL HOLES AND INSERT FIVE 6 mm DOWELS AT 300mm c.c.
 COMPACTED GRANULAR FILL SHALL BE PLACED FULL WIDTH OF CATCH BASIN.

SECTION A-A

SECTION B-B



PLAN

NOTES:

1. CARE SHALL BE TAKEN WHEN REMOVING EXISTING BACK WALL, TO KEEP EXISTING REINFORCING INTACT.
2. CUT OUT WALL WITH CARBORUNDUM SAW.
3. CONCRETE SHALL BE 28 MPa.

ALL DIMENSIONS IN MILLIMETRES EXCEPT WHERE NOTED.



**MODIFYING EXISTING CATCH BASIN
 TO FIT CURB AND GUTTER**

DWG. DATE:	1975 07
REVISION NO.:	4
REV. DATE:	2013 04
SCALE:	N.T.S.

S-101.010