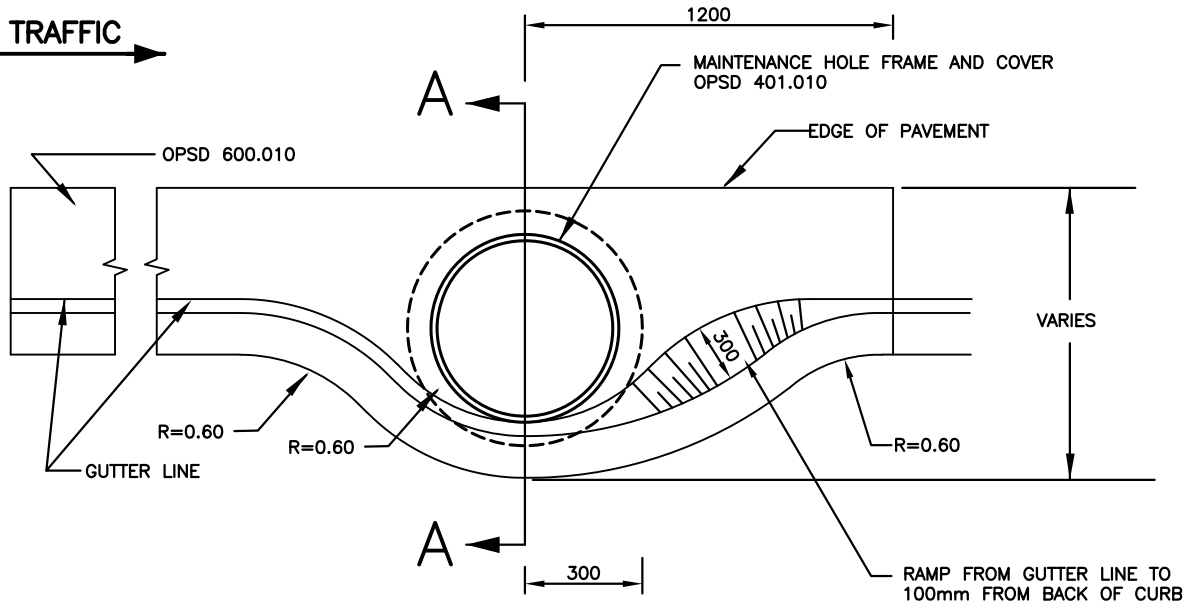
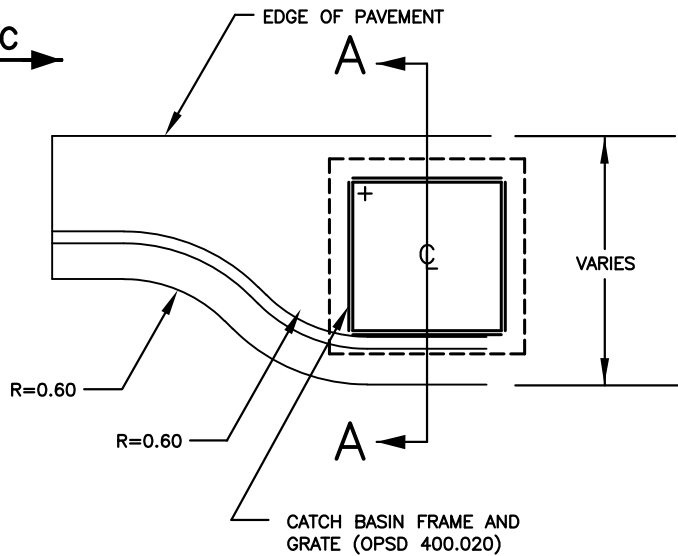


DIRECTION OF TRAFFIC →

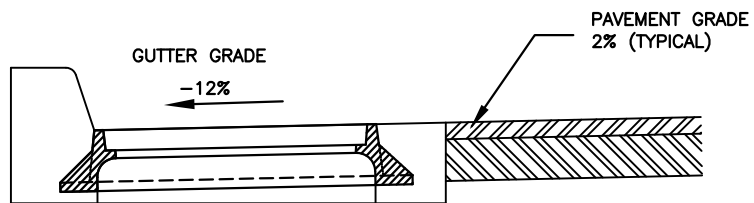


DIRECTION OF TRAFFIC →



NOTES:

1. CATCH BASIN FRAME INSTALLATION AS PER OPSD 610.010
2. USE SIDE INLET CATCH BASIN OPSD 400.082 WHERE FEASIBLE



SECTION A-A

ALL DIMENSIONS IN METRES EXCEPT WHERE NOTED.



WORKS DEPARTMENT

**MAINTENANCE HOLE AND CATCH BASIN
SETBACK FOR CURB AND GUTTER**

DWG. DATE: 2002 10
REVISION NO.: 3
REV. DATE: 2017 04
SCALE: N.T.S.

S-101.020