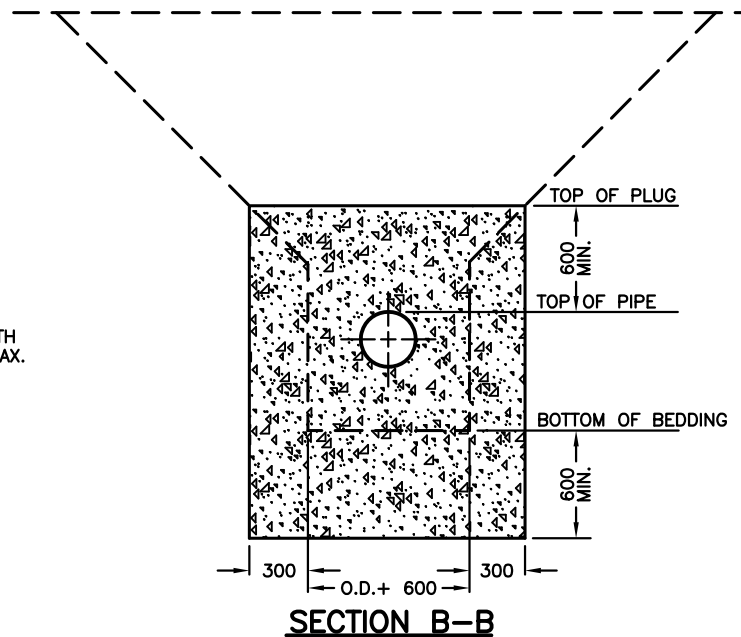
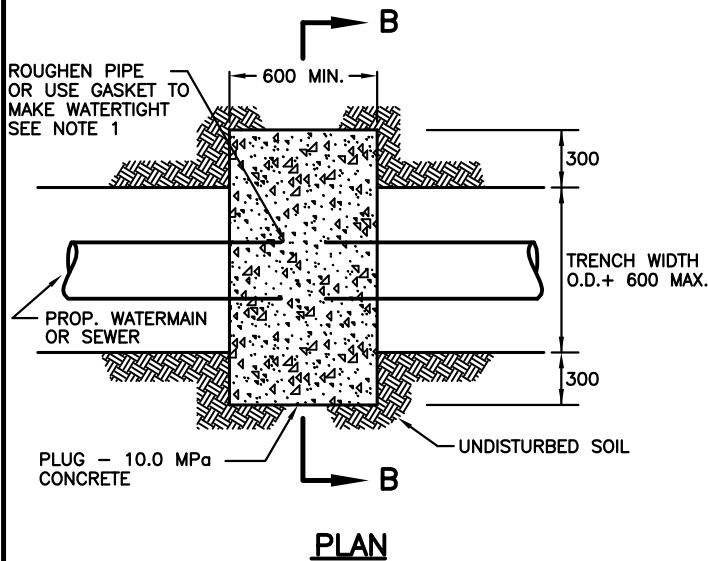


PVC PIPE

NOTES

1. PLUG SHALL BE CONSTRUCTED OF 10.0 MPa CONCRETE.
2. LOCATION OF PLUGS SHALL BE AS SHOWN ON CONTRACT DWGS. OR AS INSTRUCTED BY THE ENGINEER.
3. MH SHALL BE SET IN POSITION BEFORE POURING CONCRETE UNDER THE MH.
4. CONCRETE FOR TRENCH PLUG SHALL BE POURED IN SUCH MANNER THAT WATERTIGHTNESS WILL BE PROVIDED.
5. REQUIRED HEIGHT OF TRENCH PLUG SHALL BE DETERMINED BY THE ENGINEER.



RIGID PIPE

NOTES

1. SURFACE OF PIPE SHALL BE ROUGHENED OR GASKET USED TO MAKE WATERTIGHT.
2. PLUGS SHALL EXTEND 300 mm INTO UNDISTURBED GROUND ON SIDES OF TRENCH WHETHER OPEN CUT OR VERTICAL TRENCH.
3. LOCATION OF PLUGS MAY BE ADJUSTED TO AVOID OBSTACLES.
4. FOR CLAY TRENCH PLUGS REFER TO OPSD 802.095.

ALL DIMENSIONS IN MILLIMETRES EXCEPT WHERE NOTED.



**CONCRETE TRENCH PLUGS
FOR PVC AND RIGID PIPE
(WATERMANS AND SEWERS)**

DWG. DATE: 1979 08
REVISION NO.: 6
REV. DATE: 2013 04
SCALE: N.T.S.

S-200.040