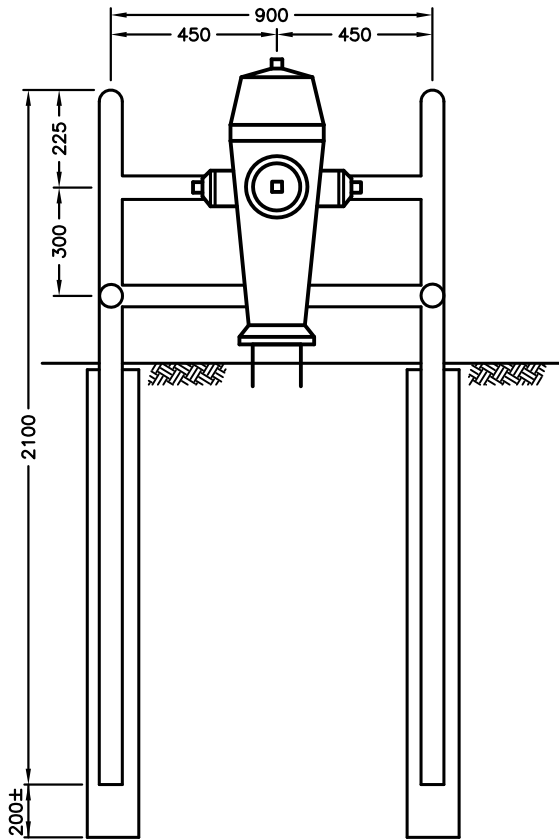


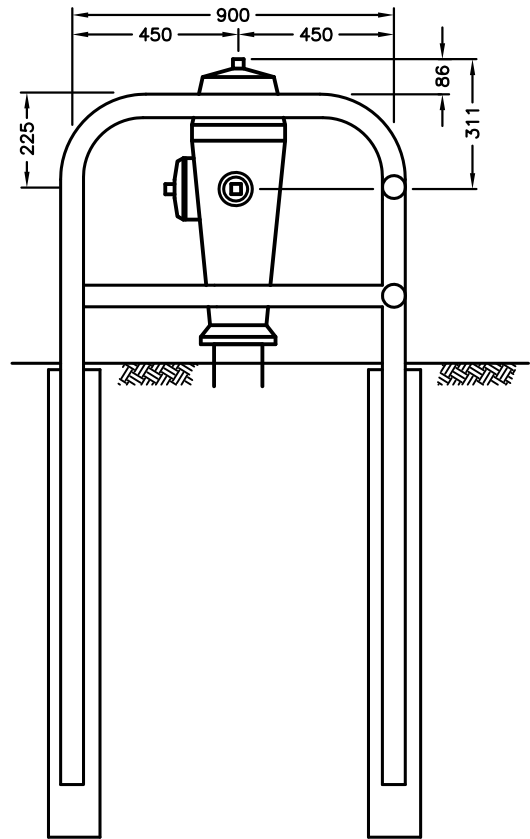
REAR VIEW

NOTES

1. USE 2" SCHEDULE 40 STEEL.
2. INSIDE DIAMETER 50 mm.
3. PAINT SHALL BE OIL BASED.
4. PIPE SHALL BE SANDBLASTED PRIOR TO PAINTING.
5. PIPE SHALL RECEIVE A PRIMER COAT.



ROAD SIDE



LEFT SIDE VIEW

ALL DIMENSIONS IN MILLIMETRES EXCEPT WHERE NOTED.



WORKS DEPARTMENT

HYDRANT BARRIER

DWG. DATE: 1978 03

REVISION NO.: 8

REV. DATE: 2013 04

SCALE: N.T.S.

S-210.020