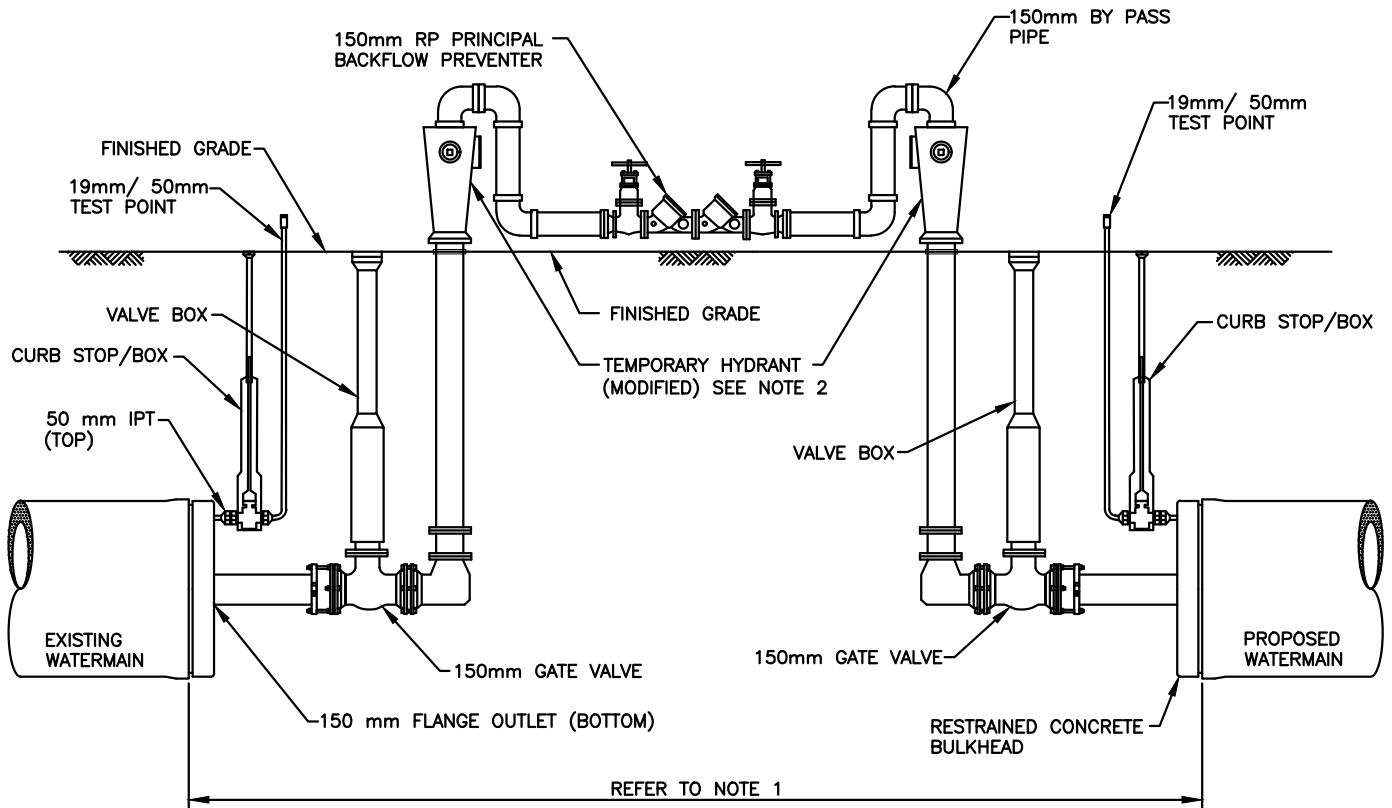


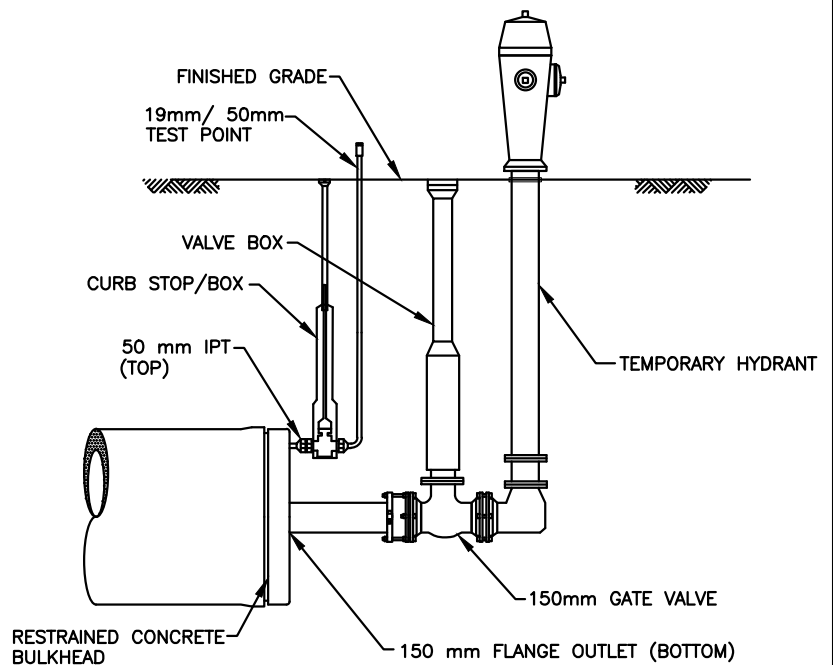
NEW CONNECTION



NOTES

1. MINIMUM DIMENSION AS PER SHOP DRAWINGS TO ALLOW MINIMUM CLOSURE PIECE WITH CONSIDERATION FOR WORKING ACCESS AND VALVE. PROPOSED DIMENSION TO BE DESIGNED TO FIT APPLICABLE CLOSURE FITTING AFTER TESTING.
2. CONCRETE BULKHEADS TO BE RESTRAINED AND FACTORY MANUFACTURED WITH 150 mm BOTTOM FLANGE BRANCH AND 50 mm TOP IPT.
3. RP PRINCIPAL BACKFLOW PREVENTER IN ACCORDANCE TO CSA STANDARD B64.10.
4. HEATED ENCLOSURE REQUIRED DURING FREEZING CONDITIONS.
5. TESTING AND CONNECTION IN ACCORDANCE TO ONTARIO WATERMAIN DISINFECTION PROCEDURE NOV. 2015 BY REGION STAFF ONLY.
6. WATERMAIN TRENCH MUST BE BACKFILLED DURING TESTING.
7. INTERNAL COMPONENTS TO BE REMOVED. RETROFIT TO ALLOW PIPE CONNECTION AND PLUG DRAIN PORTS.
8. PROPOSED MATERIAL AND LAYOUT TO BE REVIEWED AND APPROVED BY THE REGION OF DURHAM PRIOR TO CONSTRUCTION.
9. ALL JOINTS TO BE RESTRAINED WITH THREADED ROD.
10. PVC RISERS IN LIEU OF HYDRANTS MUST BE APPROVED BY CONTRACT ADMINISTRATOR.

FLUSHING



ALL DIMENSIONS IN MILLIMETRES EXCEPT WHERE NOTED.



WORKS DEPARTMENT

ARRANGEMENT TEST POINT/BYPASS/FLUSHING 400 mm AND LARGER

DWG. DATE: 2010 04
REVISION NO.: 5
REV. DATE: 2022 02
SCALE: N.T.S.

S-210.050