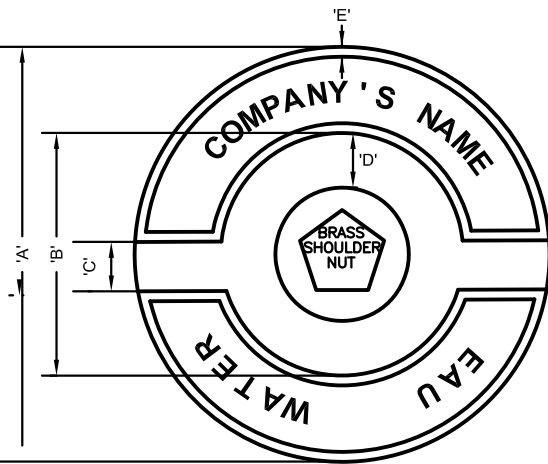
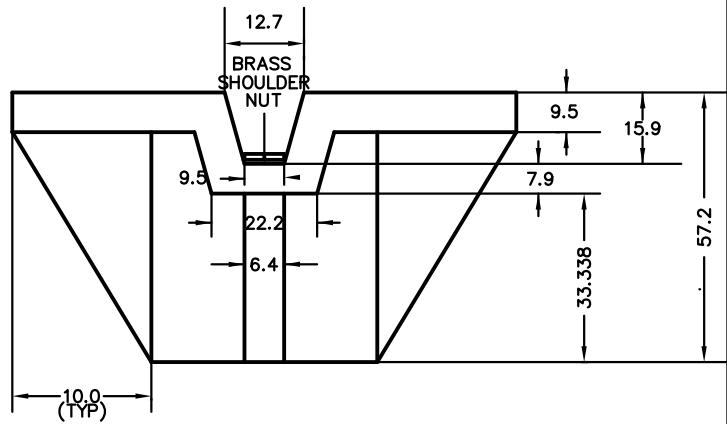


TOP OF CAP



SIDE VIEW OF CAP



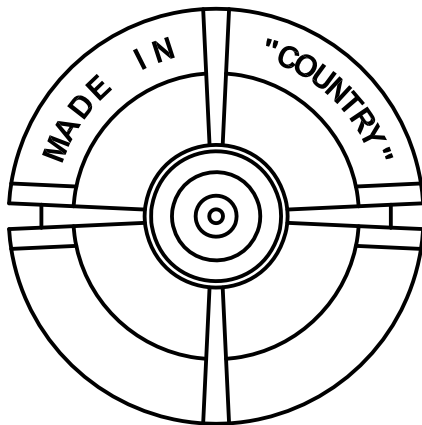
CAP DIMENSIONS:

- 'A' = 95.3
- 'B' = 41.3
- 'C' = 12.7
- 'D' = 3.2
- 'E' = 3.2

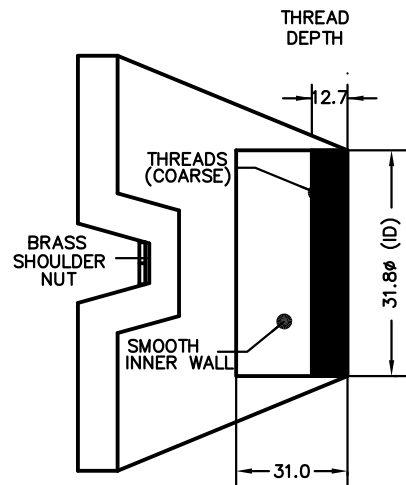
COATED BRASS NUT & WASHER COMBINATION:

- A) COATED BRASS NUT = 19.1
- B) COATED BRASS WASHER = 31.8 ϕ

BOTTOM OF CAP



THREAD DETAILS



NOTES

- 1. REFER TO S-230.031 FOR WATER SERVICE BOX DETAILS

ALL DIMENSIONS IN MILLIMETRES EXCEPT WHERE NOTED.



WORKS DEPARTMENT

WATER SERVICE BOX CAP

DWG. DATE:	2012 05
REVISION NO.:	1
REV. DATE:	2013 04
SCALE:	N.T.S.

S-230.030