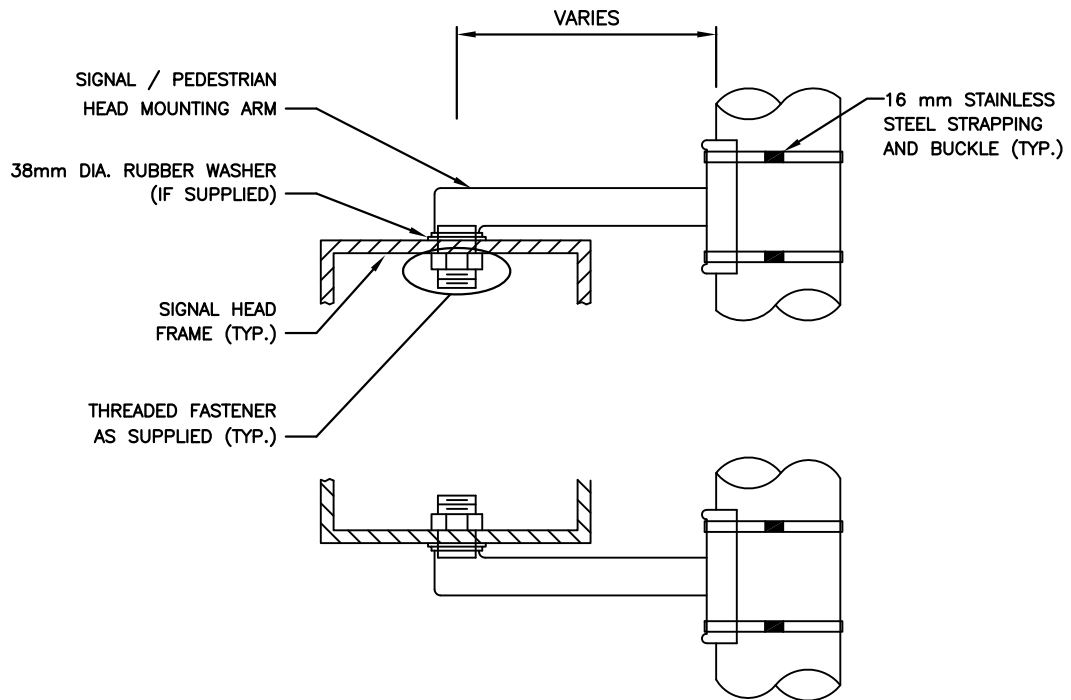


DOUBLE ARM BRACKET DETAIL – WOOD / STEEL POLE



DOUBLE ARM BRACKET DETAIL – CONCRETE POLE

ALL DIMENSIONS IN MILLIMETERS EXCEPT WHERE NOTED



**DOUBLE ARM BRACKET MOUNTING DETAILS
(FOR WOODEN, STEEL AND CONCRETE POLES)**

DWG. DATE: 2008 04
REVISION NO.: 1
REV. DATE: 2013 04
SCALE: N.T.S.

S-410.050