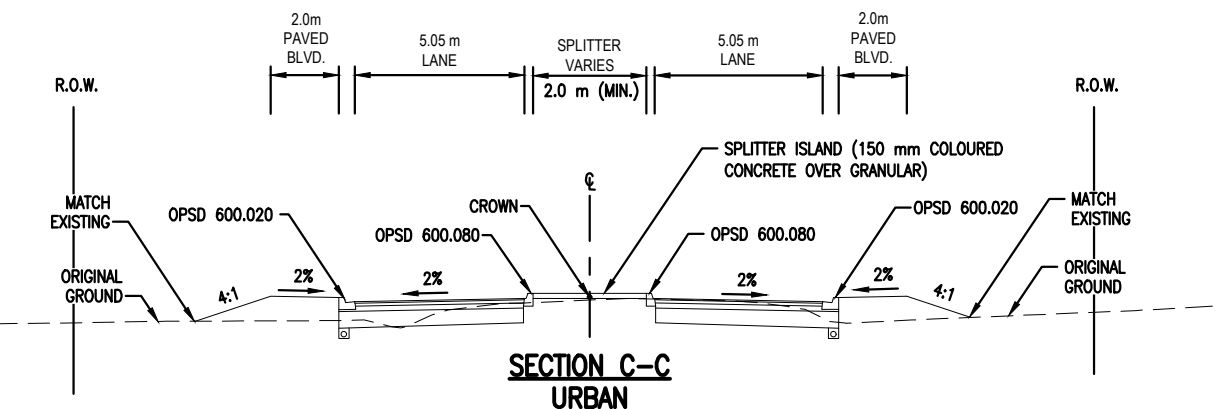
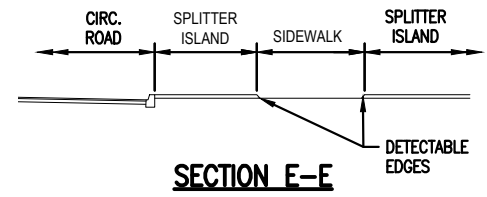
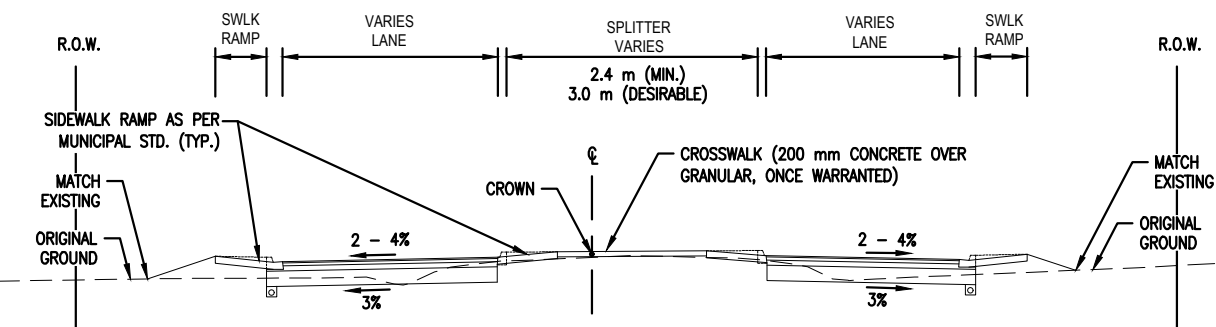
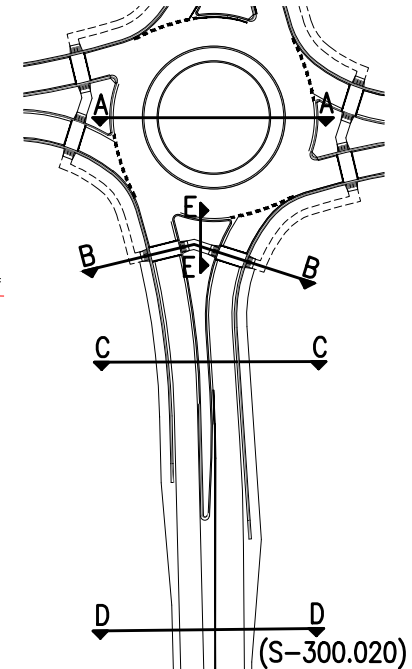
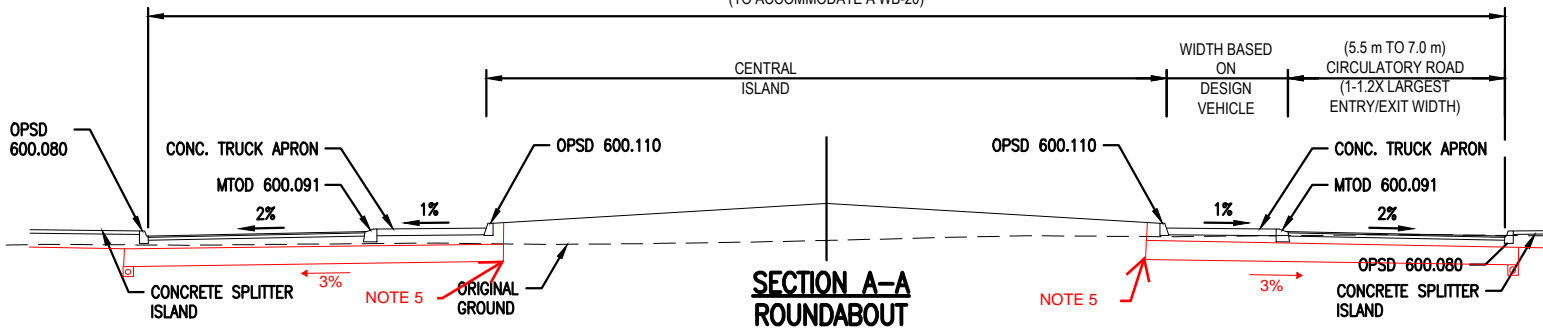


ICD 40 - 46 m
(TO ACCOMMODATE A WB-20)



NOTES:

1. THIS DRAWING IS TO BE READ IN CONJUNCTION WITH THE REGIONAL MUNICIPALITY OF DURHAM RURAL ROUNDABOUT DESIGN CRITERIA.
2. TRUCK APRON CONCRETE DEPTH/REINFORCEMENT DEPENDANT ON VEHICLE LOADING.
3. DIMENSIONS ARE E/P TO E/P UNLESS OTHERWISE NOTED.
4. CROSSFALLS ARE IDEAL AND FLAT SPOTS SHALL BE AVOIDED.
5. Subdrain may be required along the central island depending on the existing soil conditions.



ROUNDABOUT TYPICAL SECTIONS

REVISION NO.:	1 2
REV. DATE:	2022 04
SCALE:	N.T.S.

S-600.040